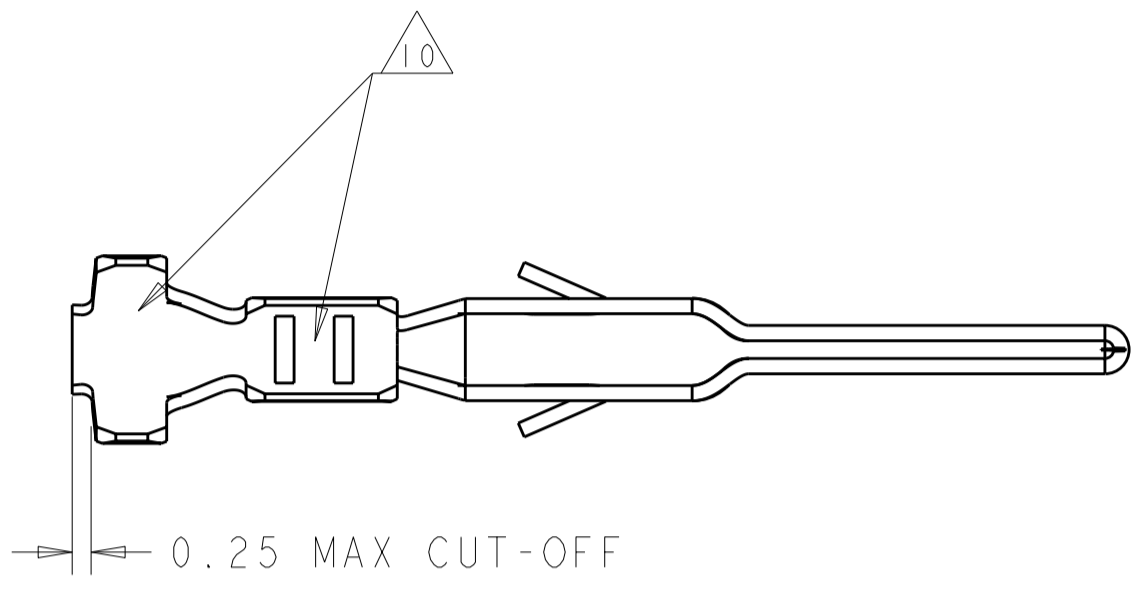
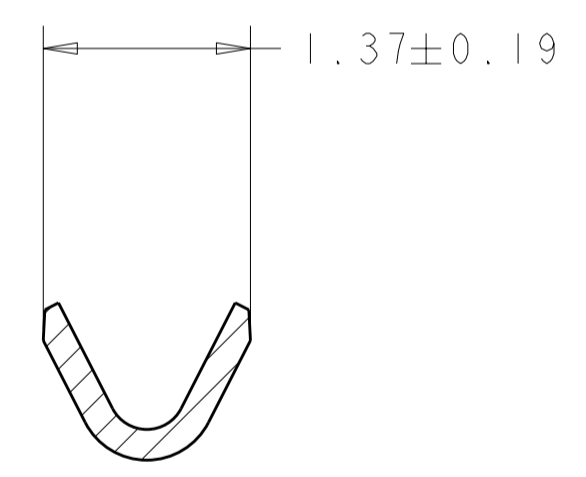
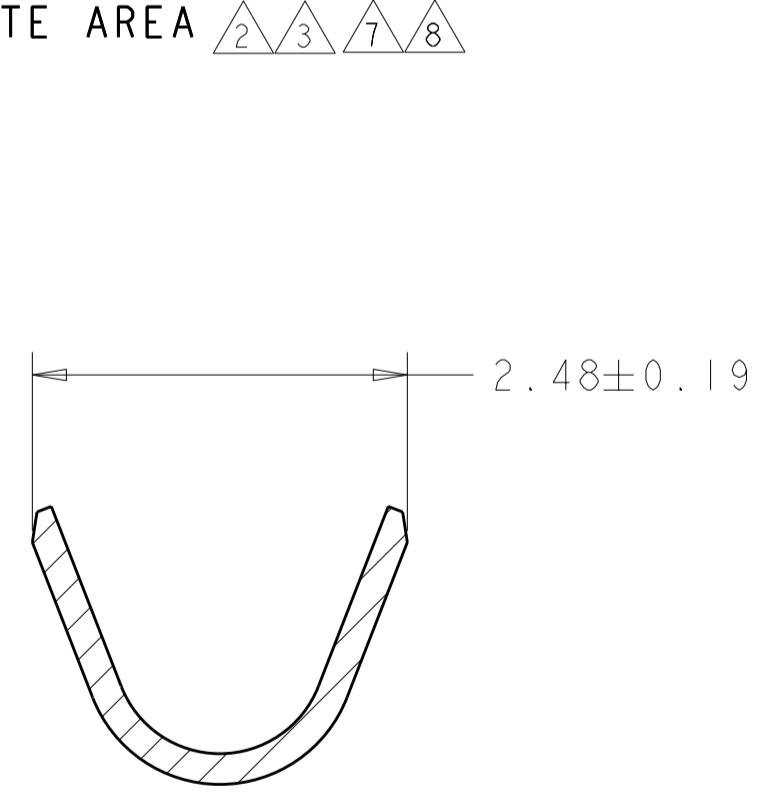
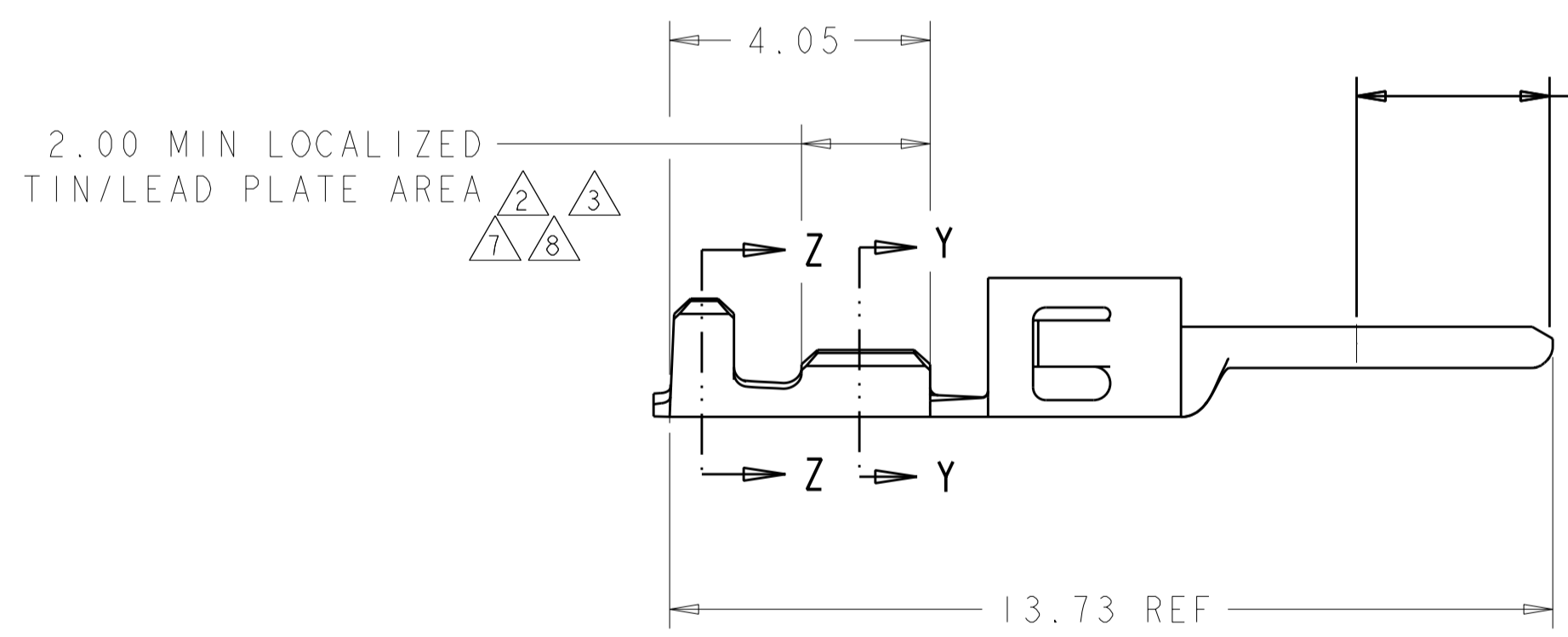


THIS DRAWING IS UNPUBLISHED. RELEASED FOR PUBLICATION 20  
 © COPYRIGHT 20 BY - ALL RIGHTS RESERVED.

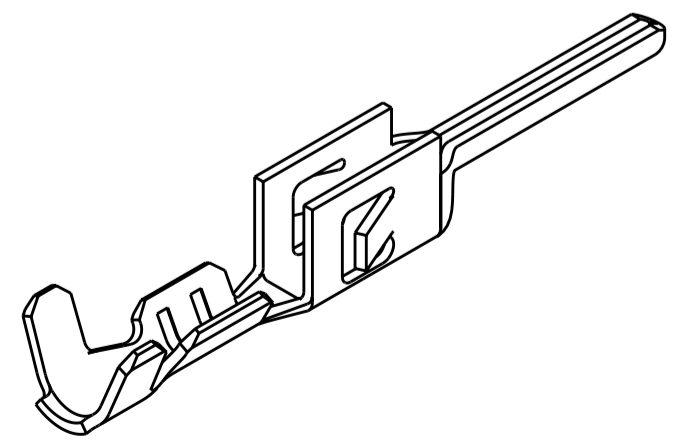
LOC		DIST		REVISIONS			
P	LTR	DESCRIPTION	DATE	DWN	APVD		
	B2	REVISED PER ECO-11-005027	16MAR2011	RK	HMR		



- ① 2.5  $\mu\text{m}$  MIN BRIGHT TIN/LEAD ENTIRE STOCK OVER 1.27  $\mu\text{m}$  MIN NICKEL ENTIRE STOCK.
- ② 0.38  $\mu\text{m}$  MIN GOLD IN LOCALIZED GOLD PLATE AREA, 2.5  $\mu\text{m}$  MIN BRIGHT TIN/LEAD IN LOCALIZED TIN/LEAD PLATE AREA, BOTH OVER 1.27  $\mu\text{m}$  MIN NICKEL ON ENTIRE STOCK.
- ③ 0.76  $\mu\text{m}$  MIN GOLD IN LOCALIZED GOLD PLATE AREA, 2.5  $\mu\text{m}$  MIN BRIGHT TIN/LEAD IN LOCALIZED TIN/LEAD PLATE AREA, BOTH OVER 1.27  $\mu\text{m}$  MIN NICKEL ON ENTIRE STOCK.
- 4. WIRE RANGE 26-30 AWG.
- 5. INSULATION RANGE 0.89-1.52
- ⑥ 2.5  $\mu\text{m}$  MIN BRIGHT TIN ENTIRE STOCK OVER 1.27  $\mu\text{m}$  MIN NICKEL ENTIRE STOCK.
- ⑦ 0.38  $\mu\text{m}$  MIN GOLD IN LOCALIZED GOLD PLATE AREA, 2.5  $\mu\text{m}$  MIN BRIGHT TIN IN LOCALIZED TIN PLATE AREA, BOTH OVER 1.27  $\mu\text{m}$  MIN NICKEL ON ENTIRE STOCK.
- ⑧ 0.76  $\mu\text{m}$  MIN GOLD IN LOCALIZED GOLD PLATE AREA, 2.5  $\mu\text{m}$  MIN BRIGHT TIN IN LOCALIZED TIN PLATE AREA, BOTH OVER 1.27  $\mu\text{m}$  MIN NICKEL ON ENTIRE STOCK.
- ⑨ NOTE DELETED.
- ⑩ TIN PLATING THICKNESS INSIDE WIRE AND INSULATION BARRELS TO BE 1.27  $\mu\text{m}$  MIN.



⑧	1-794613-2
⑦	1-794613-1
⑥	1-794613-0
③	794613-3
②	794613-2
①	794613-1
FINISH	PART NUMBER



**METRIC**

THIS DRAWING IS A CONTROLLED DOCUMENT.

DIMENSIONS: mm	TOLERANCES UNLESS OTHERWISE SPECIFIED:	DWN W J RUDY 29AUG2000	TE Connectivity
	0 PLC ±	CHK W DAVIS 29AUG2000	
	1 PLC ±	APVD W DAVIS 29AUG2000	
	2 PLC ±0.13	PRODUCT SPEC	
MATERIAL 0.20 THK BRASS	ANGLES ±	APPLICATION SPEC	NAME PLUG CONTACT, CRIMP SNAP, 26-30 AWG, LOOSE PIECE, MICRO MATE-N-LOK(TM)
	FINISH ±	WEIGHT	SIZE A2 CAGE CODE 00779 DRAWING NO 794613
		CUSTOMER DRAWING	RESTRICTED TO -

SCALE 10:1 SHEET 1 OF 1 REV B2